

# HYVA CYLINDER

714 05 537



type: UMB 149-5-1880-K258-50-3/4"-HC

tipping weight: 11-23 ton

page # 1 / 2

Stage diameters 149 129 110 91 72	front view cylinder		<table border="1"> <tr><td>A</td><td>205</td></tr> <tr><td>ØC</td><td>170</td></tr> <tr><td>G<sup>1</sup></td><td>605</td></tr> <tr><td>I</td><td>347</td></tr> <tr><td>K<sup>1</sup></td><td>258</td></tr> <tr><td>M<sup>1</sup></td><td>99</td></tr> <tr><td>ØP</td><td>100</td></tr> <tr><td>ØQ</td><td>65</td></tr> <tr><td>S</td><td>357</td></tr> <tr><td>ØW</td><td>50</td></tr> <tr><td>X</td><td>45</td></tr> </table>	A	205	ØC	170	G <sup>1</sup>	605	I	347	K <sup>1</sup>	258	M <sup>1</sup>	99	ØP	100	ØQ	65	S	357	ØW	50	X	45
A	205																								
ØC	170																								
G <sup>1</sup>	605																								
I	347																								
K <sup>1</sup>	258																								
M <sup>1</sup>	99																								
ØP	100																								
ØQ	65																								
S	357																								
ØW	50																								
X	45																								

<sup>1</sup>including 20 mm pull-out [tol. -5; +30 mm]

<sup>2</sup>cylinder is delivered including oil inlet swivel adapter and cup

## specifications

total stroke <sup>1</sup>	1880 mm
dry weight cylinder only	78 kg
total volume	20.7 L
working volume	19.0 L
maximum pressure	220 bar
maximum pump flow	61 l/min
maximum allowable thrust first stage <sup>3</sup>	20.0 ton
oil inlet	3/4" BSP

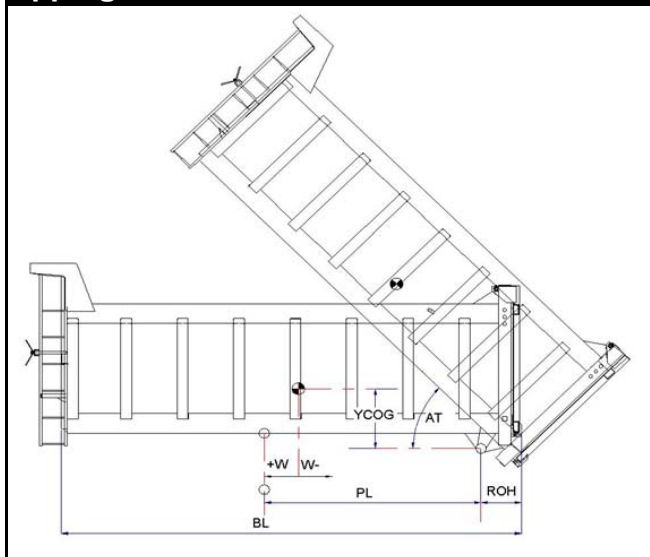
## technical notes

This cylinder is a lifting device only and may not be used as a structural member or be subjected to side load. Sideload and/or poor alignment might result in cylinder leakage. Hyva therefore strongly recommends the use of a cradle, even in instances where the cylinder only tips to the rear or to the side. The cylinder is painted black RAL9005. For suitable hydraulic oils, please refer to data sheet OIL-0011. For details of available brackets and cradles, please refer data sheet 015BRA06.

Detailed calculations can be made using the HYVA Tipper Program, freely available from [tipper.hyva.com](http://tipper.hyva.com).

<sup>3</sup>The cylinder thrust on the first stage (from the HYVA Tipper Program) must not exceed the maximum allowable (see specifications above).

## tipping view



## tipping weight

PL	2450			mm	2170		
YCOG	600			mm	600		
ROH	600			mm	600		
BL	6780	6100	5550	mm	6160	5540	5040
CYL w.r.t. COG (W)	-340	0	280	mm	-310	0	250
	Tipping weight for full stroke of 46°				Tipping weight for full stroke of 52°		
Tipping weight	11	13	15	ton	12	15	17
	Tipping weight for second last stage, up to 37°				Tipping weight for 2nd last stage, up to 42°		
Tipping weight	16	20	23	ton	18	20	23

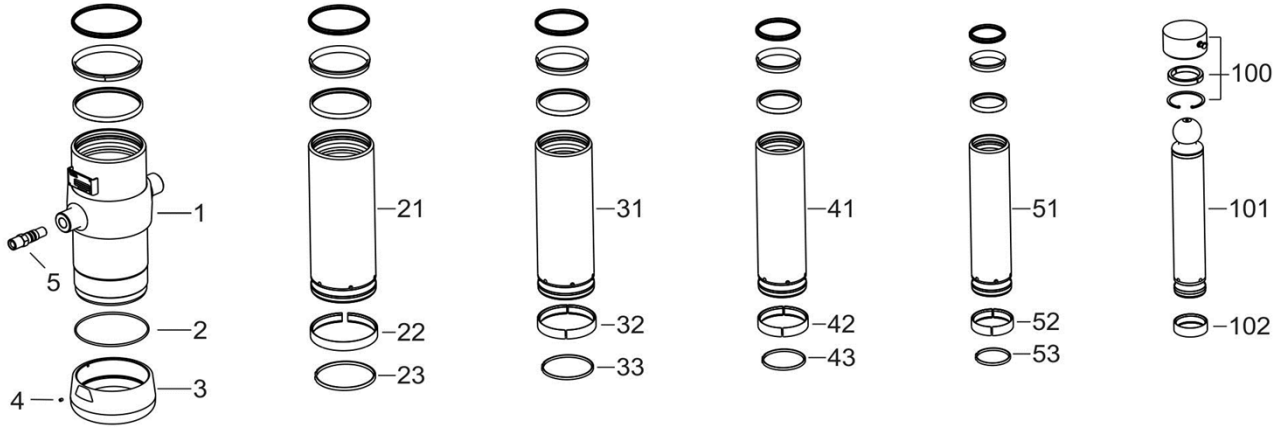
# HYVA CYLINDER

714 05 537

type

UMB 149-5-1880-K258-50-3/4"-HC

page # 2 / 2



## Spare part list

Pos	Part no.	Description	Qty.
1	73506500	BASE 169-0478-N0159	1
2	01226709	O-RING 165 X 4 NBR 70 SHORE	1
3	73101040	THREADED BOTTOM UM 169	1
4	01792571	LOCKING SCREW M6X12 INT. HEX. DIN 916	1
5	73103002	OIL INLET ADAPTOR UM 3/4"OT+O-RING	1
21	73605501	STAGE 149-0478-HC	1
22	71807149 K	SLIDER FL 149	1
23	71812149 K	LIFTRING FL 149/HP 150	1
31	73604501	STAGE 129-0478-HC	1
32	71807129 K	SLIDER FL 129/GF 129 (2 X 1/2)	1
33	71812129 K	LIFTRING FL 129/HP 129	1
41	73603501	STAGE 110-0478-HC	1
42	71807110 K	SLIDER FL 110/GF 110 (2 X 1/2)	1
43	71812110 K	LIFTRING FL 110	1
51	73602501	STAGE 091-0478-HC	1
52	71807091 K	SLIDER FL 091 (2 X 1/2)	1
53	71812091 K	LIFTRING FL 091	1

## Spare part list

Pos	Part no.	Description	Qty.
100	01745102	RETAINER KIT UMB D.65	1
101	73401501	PISTON B 072-0518-HC	1
102	71807072 K	SLIDER FL 072 (2 X 1/2)	1

## Seal kit complete

Part no.	Description
719 04 550K	Complete packset: Consists of all packsets with packset grease and o-ring.