

HYVA CYLINDER

714 04 365



type: UMB 129-5-1280-K192-45-1/2"-HC

tipping weight: 6-17 ton

page # 1 / 2

Stage diameters 129 110 91 72 53	front view cylinder		<table border="1"> <tr><td>A</td><td>175</td></tr> <tr><td>ØC</td><td>150</td></tr> <tr><td>G¹</td><td>468</td></tr> <tr><td>I</td><td>276</td></tr> <tr><td>K¹</td><td>192</td></tr> <tr><td>M¹</td><td>86</td></tr> <tr><td>ØP</td><td>88</td></tr> <tr><td>ØQ</td><td>53</td></tr> <tr><td>S</td><td>286</td></tr> <tr><td>ØW</td><td>45</td></tr> <tr><td>X</td><td>45</td></tr> </table>	A	175	ØC	150	G¹	468	I	276	K¹	192	M¹	86	ØP	88	ØQ	53	S	286	ØW	45	X	45
A	175																								
ØC	150																								
G¹	468																								
I	276																								
K¹	192																								
M¹	86																								
ØP	88																								
ØQ	53																								
S	286																								
ØW	45																								
X	45																								

¹including 20 mm pull-out [tol. -5; +30 mm]

²cylinder is delivered including oil inlet swivel adapter and cup

specifications

total stroke ¹	1280 mm
dry weight cylinder only	53 kg
total volume	10.0 L
working volume	9.1 L
maximum pressure	220 bar
maximum pump flow	33 l/min
maximum allowable thrust first stage ³	15.0 ton
oil inlet	1/2" BSP

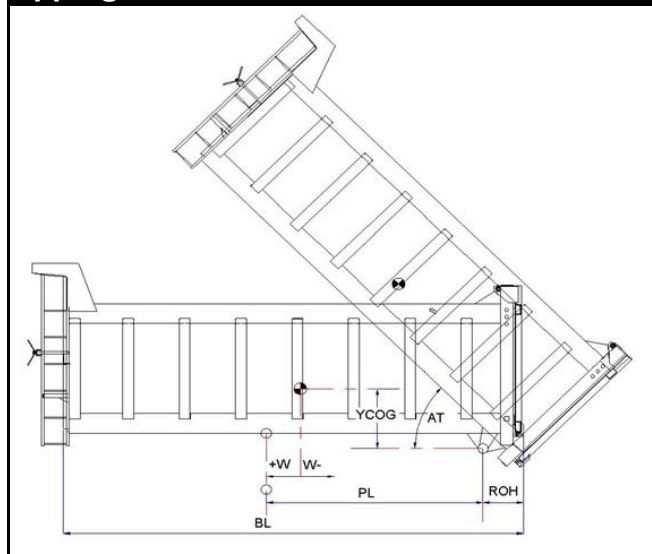
technical notes

This cylinder is a lifting device only and may not be used as a structural member or be subjected to side load. Sideload and/or poor alignment might result in cylinder leakage. Hyva therefore strongly recommends the use of a cradle, even in instances where the cylinder only tips to the rear or to the side. The cylinder is painted black RAL9005. For suitable hydraulic oils, please refer to data sheet OIL-0011. For details of available brackets and cradles, please refer data sheet 015BRA06.

Detailed calculations can be made using the HYVA Tipper Program, freely available from tipper.hyva.com.

³The cylinder thrust on the first stage (from the HYVA Tipper Program) must not exceed the maximum allowable (see specifications above).

tipping view



tipping weight

PL	1670			mm	1480		
YCOG	500			mm	500		
ROH	500			mm	500		
BL	4820	4340	3950	mm	4400	3960	3600
CYL w.r.t. COG (W)	-240	0	200	mm	-220	0	180
	Tipping weight for full stroke of 46°				Tipping weight for full stroke of 52°		
Tipping weight	6	7	9	ton	7	8	10
	Tipping weight for second last stage, up to 37°				Tipping weight for 2nd last stage, up to 42°		
Tipping weight	10	14	16	ton	11	15	17

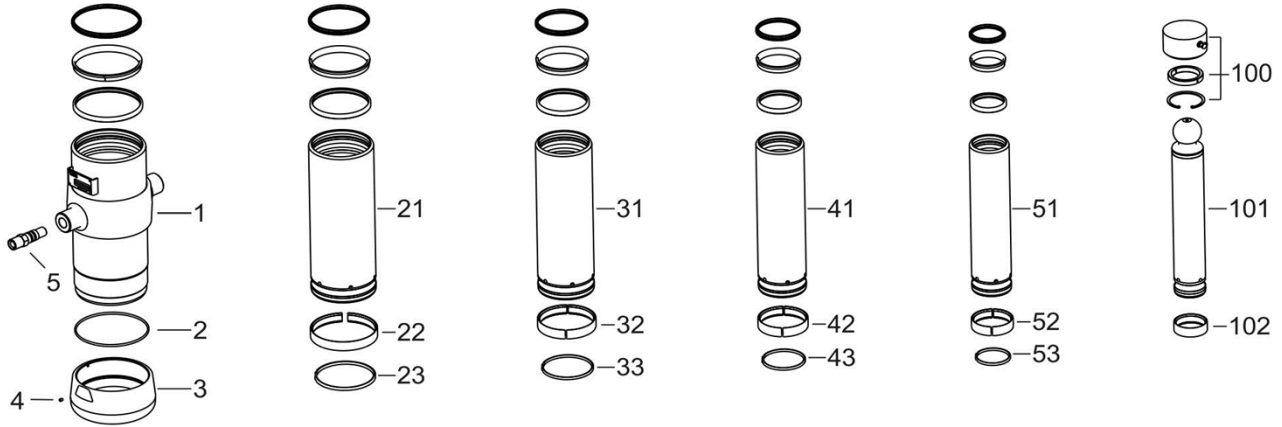
HYVA CYLINDER

714 04 365

type

UMB 129-5-1280-K192-45-1/2"-HC

page # 2 / 2



Spare part list

Pos	Part no.	Description	Qty.
1	73505200	BASE 149-0358-N0106	1
2	01226680	O-RING 145 X 4 70 SHORE	1
3	73101030	THREADED BOTTOM UM 149	1
4	01792571	LOCKING SCREW M6X12 INT. HEX. DIN 916	1
5	73103000	OIL INLET ADAPTOR UM 1/2"OT+O-RING	1
21	73604201	STAGE 129-0358-HC	1
22	71807129 K	SLIDER FL 129/GF 129 (2 X 1/2)	1
23	71812129 K	LIFTRING FL 129/HP 129	1
31	73603201	STAGE 110-0358-HC	1
32	71807110 K	SLIDER FL 110/GF 110 (2 X 1/2)	1
33	71812110 K	LIFTRING FL 110	1
41	73602201	STAGE 091-0358-HC	1
42	71807091 K	SLIDER FL 091 (2 X 1/2)	1
43	71812091 K	LIFTRING FL 091	1
51	73601201	STAGE 072-0358-HC	1
52	71807072 K	SLIDER FL 072 (2 X 1/2)	1
53	71810072 K	INNER STOPRING/LIFTRING FL 072	1

Spare part list

Pos	Part no.	Description	Qty.
100	01745101	RETAINER KIT UMB D.53	1
101	73400201	PISTON B 053-0394-HC	1
102	71807053 K	SLIDER FL 053 (2 X 1/2)	1

Seal kit complete

Part no.	Description
719 04 450K	Complete packset: Consists of all packsets with packset grease and o-ring.